

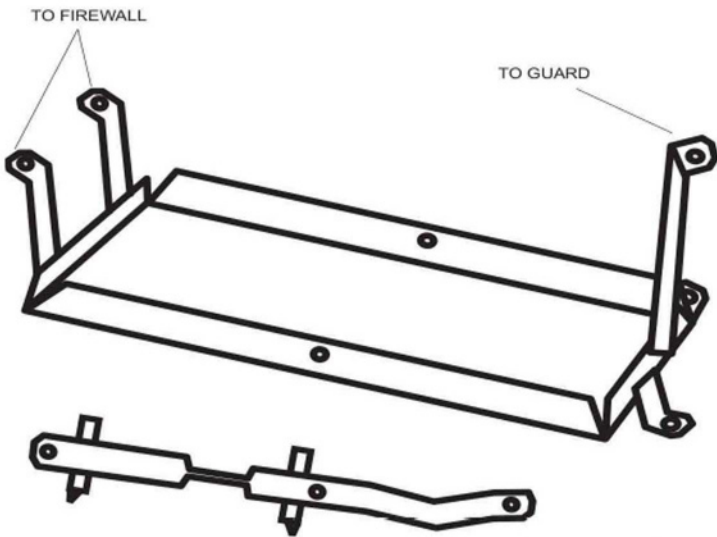
PIRANHA OFFROAD PRODUCTS

BTGU4.8P

'Piranha Off Road products are not associated in any way with Nissan Motor Co. (Australia) Pty Ltd or any of its related companies'

To Suit NISSAN PATROL GU TB48E 4.8L PETROL (Non ABS)

PART NUMBER	BTGU4.8P
APPROX FITTING TIME	2 Hours
MAX BATTERY SIZE	300mm Long
RECOMMENDED TYPE	Cycle Duty
TRAY LOCATION	PSR



PARTS INCLUDED WITH TRAY

- 3 X M6 Bolt
- 3 X M6 Nut
- 2 X Body Washer
- 1 X M8 Bolt Short
- 1 X M8 Bolt Long
- 1 X M8 Nut
- 2 X J Bolts
- 1 X Special Top Mount

RECOMMENDED ISOLATOR

**DBE140S
or
DBE180-SX**

Fitting Instructions

The Cradle fits passenger side rear

It Locates to side of Guard and Firewall on the back passenger corner.
The Charcoal Cannister and Cruise Control will require relocation
(Brackets not Supplied)

NOTE: Can Not be fitted to vehicle with ABS

Ensure before closing the bonnet that all items have adequate clearance